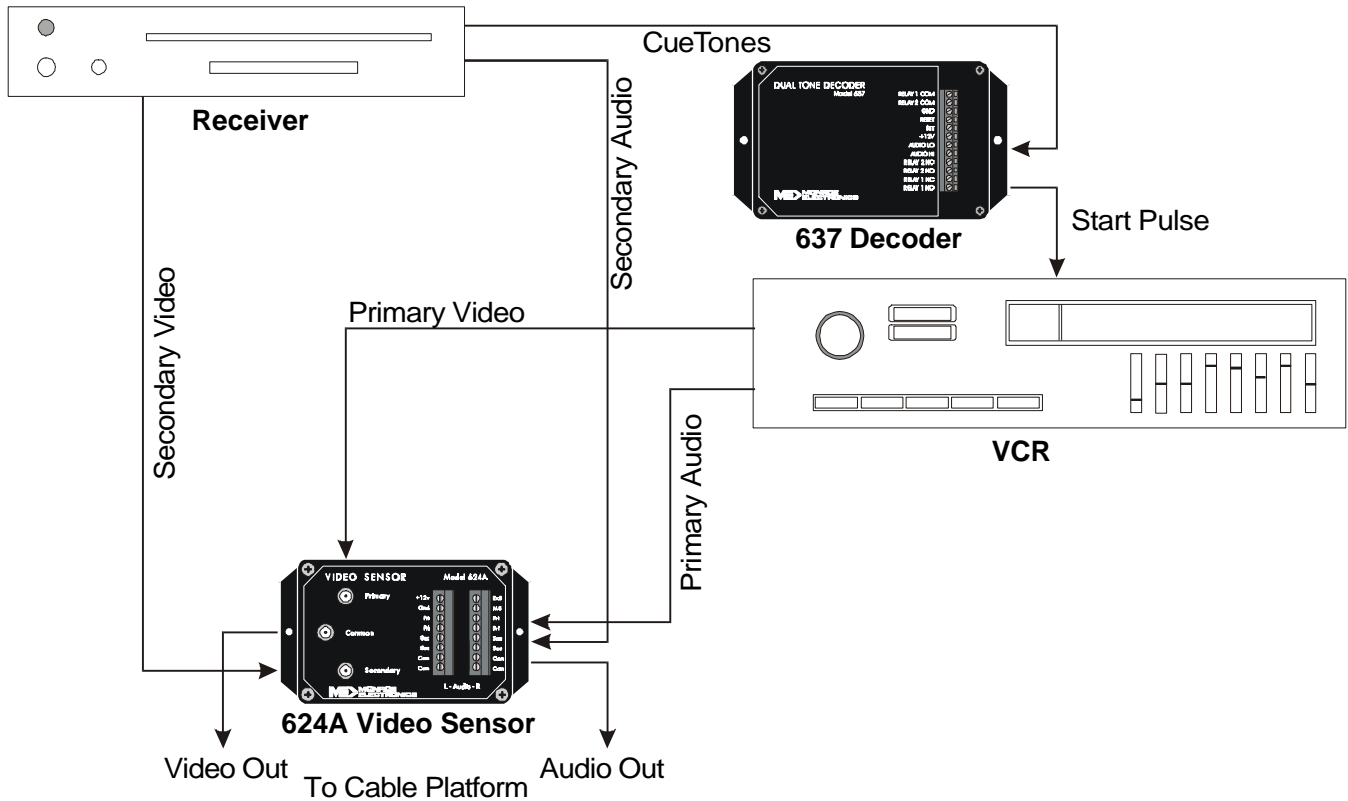


Application Note APNT-0010 Automatic Commercial Insertion

The Monroe Electronics 637 Dual Tone Decoder and 624A Video Sensor make automatic ad insertion simple!



Normal program video and audio are fed to your cable platform through the 624A Video Sensor. When a correct 'START' cue tone sequence is received a START pulse is sent to the VCR. When the VCR starts to produce a video signal, the video sensor will switch to the primary input. When the VCR's video stops the video sensor switches back to the normal program on the secondary connections.

With the output relay of the decoder in the 'momentary' mode, the output relay will activate approximately 40ms after the last valid digit is received and remain energized as long as the last valid digit is present. In the 'momentary' mode the decoder will not respond to an 'OFF' code. 'SET' and 'RESET' inputs are provided for local control if needed. For complete details see Model 624A and 3185E specifications.

An input provided on the video sensor allows connections for manually switching to the secondary feed.